



GE APPLIANCES
a Haier company

Installation Instructions Snow Hood

Before you begin installation, read these instructions completely and carefully. Observe all governing codes and ordinances as they may apply. Leave these instructions with the owner.

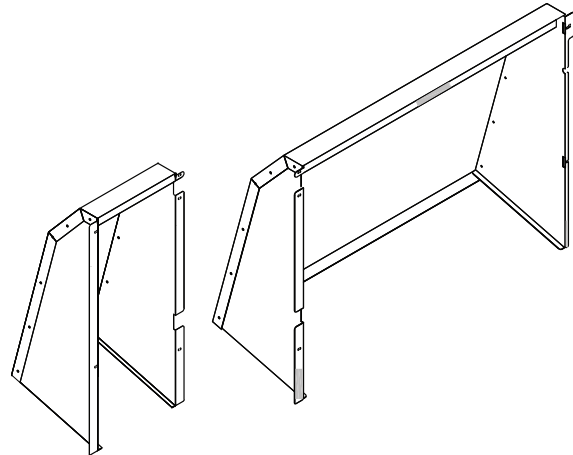
⚠ IMPORTANT SAFETY NOTICE To avoid personal injury or property damage, this accessory is to be installed only by a licensed and trained industry professional. The manufacturer will not assume liability for unqualified installers or failure to follow these instructions.

⚠ Warning For personal safety, disconnect system power before installing this accessory. During installation, if ground wires, screws, straps, clips, or other means of attaching grounding components are removed, they must be returned to their original positions and fastened securely.

Model: UAWB80A

Parts Included:

- Back snow hood
- Side snow hood
- 6 self-tapping stainless screws
- This instruction sheet



Side Hood Instructions

Step 1:

Place the smaller snow hood on the left side of the outdoor unit. Align the top edge of the hood with the seam of the top cover. Also align the left edge of hood with the back edge of the outdoor unit.



Step 2:

Secure the snow hood with the supplied screws

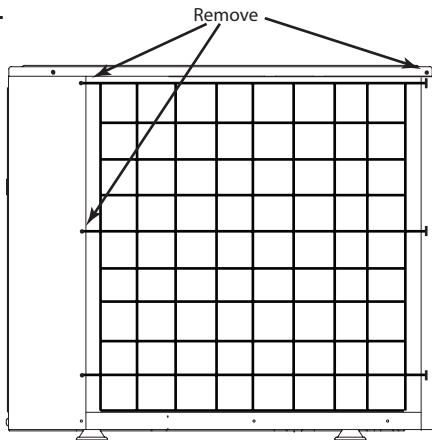




Back Hood Instructions

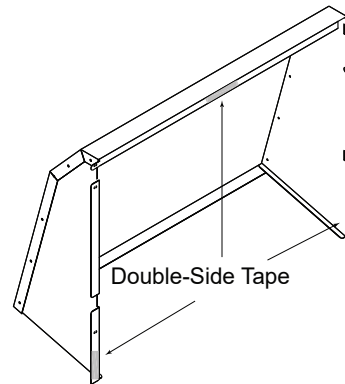
Step 1:

Remove the top left screw and also the middle left screw from the black wire coil guard. Also remove the top right screw from the top cover.



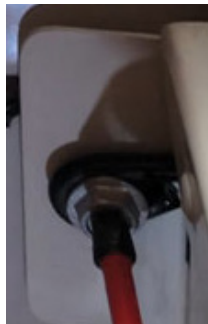
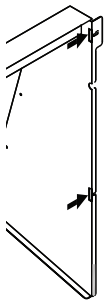
Step 2:

Peel off the double sided tape from the edges of the snow hood.



Step 3:

Insert the loops of the coil guard into the slots of the snow hood and secure using the original screws.



Step 4:

Use the original screw to secure the top right of the snow hood.



Step 5:

Use 2 supplied screws to secure the right side of the snow hood to the outdoor unit.

