

# Haier Snow Hood Submittal

## UAWB80A

Job Name: \_\_\_\_\_

Purchaser: \_\_\_\_\_

Submitted To: \_\_\_\_\_

Construction: \_\_\_\_\_

Reference: \_\_\_\_\_

Approval: \_\_\_\_\_

Date: \_\_\_\_\_

Submitted By: \_\_\_\_\_

Unit: \_\_\_\_\_

Drawing #: \_\_\_\_\_

### Specifications

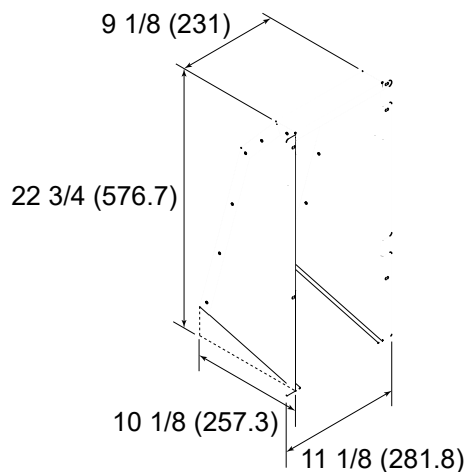
Material	20 Ga. G90 Galvanized Steel
Finish	Powder Coat

### Compatibility

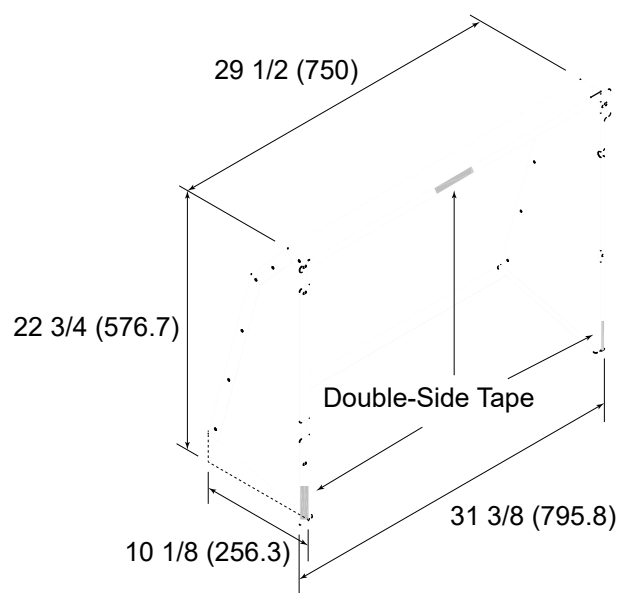
Arctic Multi Series	2U20EH2VHA
	3U24EH2VHA
	4U36EH2VHA

## Dimensions

**Side Hood**



**Back Hood**



For more information visit us:  
[www.Haierductless.com](http://www.Haierductless.com)  
[www.Haierductlesshelp.com](http://www.Haierductlesshelp.com)