



GE APPLIANCES
a Haier company

Installation Instructions

Wind Baffle

Before you begin installation, read these instructions completely and carefully. Observe all governing codes and ordinances as they may apply. Leave these instructions with the owner.

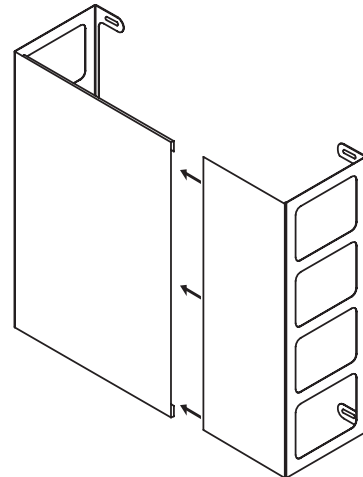
⚠ IMPORTANT SAFETY NOTICE To avoid personal injury or property damage, this accessory is to be installed only by a licensed and trained industry professional. The manufacturer will not assume liability for unqualified installers or failure to follow these instructions.

⚠ WARNING For personal safety, disconnect system power before installing this accessory. During installation, if ground wires, screws, straps, clips, or other means of attaching grounding components are removed, they must be returned to their original positions and fastened securely.

Model: UAWB46A

Parts Included:

- Wind baffle (2 parts)
- 8 stainless self-tapping screws
- 4 screw covers
- This instruction sheet



Step 1:
Remove top screws from grille, slide the wind baffle behind and replace the factory screws.



Step 2:
On some models, the grille screws can be used in the same manner as the top. Use the supplied screws if needed.





Wind Baffle

Step 3:

Drive 3 screws through the front of the wind baffle where the two pieces overlap. This will eliminate any vibration rattle during operation. Cover the ends of the screws with the supplied caps to prevent any injury when reaching down between the baffle and the grille.

