

# Haier

## Submittals

### Ductless Mini Split Controllers

Rev. Feb. 2021



**WJ01X23557**

**UCT30RWA**

**WJ01X24721**

**WJ26X27153**

**YR-E16B**

**YR-E17**

**QACT17A**



**GE APPLIANCES**  
a Haier company

For more information visit us:  
[www.Haierductless.com](http://www.Haierductless.com)  
[www.Haierductlesshelp.com](http://www.Haierductlesshelp.com)



### **Revision History**

**Rev. July 2019** - Submittal edition release.

**Rev. Aug 2019** - YR-E16B, YR-E17, QACT17A feature updates.

**Rev. June 2019** - UCT30RWA, WJ26X27153 controllers added.

**Rev. Feb 2021** - Model number & description revisions.

# Haier Ductless Mini Split Controller Submittal

## Large Cassette Remote WJ01X23557

Job Name: \_\_\_\_\_

Purchaser: \_\_\_\_\_

Submitted To: \_\_\_\_\_

Construction: \_\_\_\_\_

Reference: \_\_\_\_\_

Approval: \_\_\_\_\_

Date: \_\_\_\_\_

Submitted By: \_\_\_\_\_

Unit: \_\_\_\_\_

Drawing #: \_\_\_\_\_



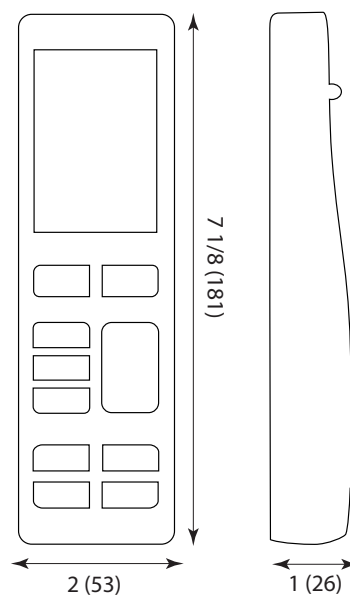
### Features

- 24-Hour Timer
- Individual Control
- Backlight
- Up & Down Louver Oscillating Control
- Left & Right Louver Oscillating Control
- Four-Way Cassette Air Supply Control
- Child Lock
- Indoor LED Display On/Off
- Fahrenheit/Celsius Display
- Precise Temperature Control +/- 1F (+/- 0.5C)

### Compatibility

All Haier large cassette indoor units.

### Dimensions in. (mm)



For more information visit us:  
[www.Haierductless.com](http://www.Haierductless.com)  
[www.Haierductlesshelp.com](http://www.Haierductlesshelp.com)

## Cool Only Remote UCT30RWA

Job Name: \_\_\_\_\_

Purchaser: \_\_\_\_\_

Submitted To: \_\_\_\_\_

Construction: \_\_\_\_\_

Reference: \_\_\_\_\_

Approval: \_\_\_\_\_

Date: \_\_\_\_\_

Submitted By: \_\_\_\_\_

Unit: \_\_\_\_\_

Drawing #: \_\_\_\_\_



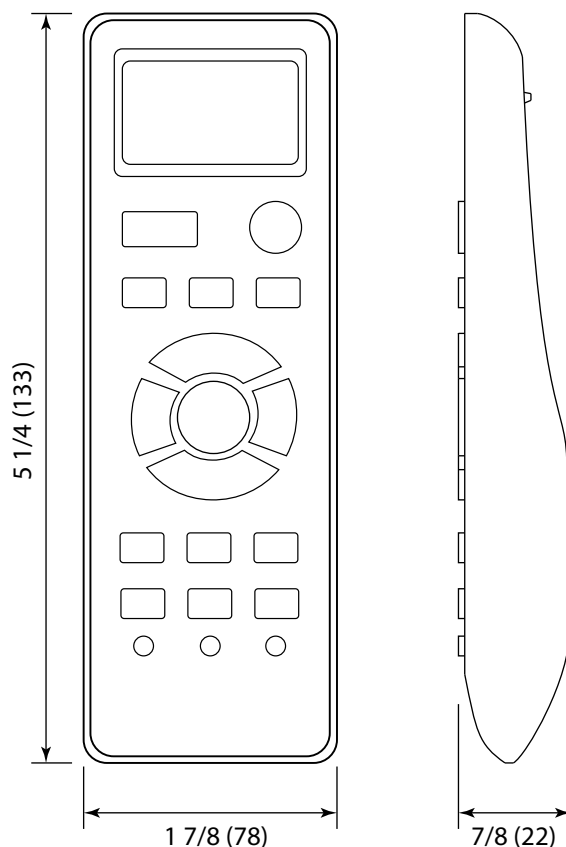
### Features

- Cool, Fan, Dry mode selections only
- Individual Control
- Backlight
- Up & Down Louver Oscillating Control
- Left & Right Louver Oscillating Control
- Child Lock
- Indoor Display On/Off
- Fahrenheit/Celsius Display
- Precise Temperature Control +/- 1F (+/- 0.5C)

### Compatibility

All Haier compact cassette, wall mounted, and floor console indoor units.

### Dimensions in. (mm)



Standard Remote Control

**WJ01X24721**

Job Name: \_\_\_\_\_

Purchaser: \_\_\_\_\_

Submitted To: \_\_\_\_\_

Construction: \_\_\_\_\_

Reference: \_\_\_\_\_

Approval: \_\_\_\_\_

Date: \_\_\_\_\_

Submitted By: \_\_\_\_\_

Unit: \_\_\_\_\_

Drawing #: \_\_\_\_\_



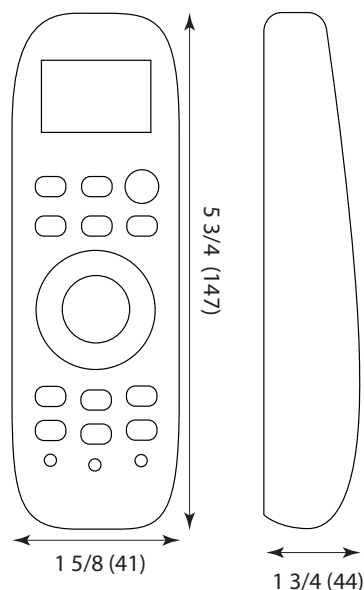
## Features

- Individual Control
- Backlight
- Up & Down Louver Oscillating Control
- Left & Right Louver Oscillating Control
- Child Lock
- Indoor LED Display On/Off
- Fahrenheit/Celsius Display
- Precise Temperature Control +/- 1F (+/- 0.5C)

## Compatibility

All Haier compact cassette, wall mounted, and floor console indoor units.

## Dimensions in. (mm)



## Motion Sense Remote WJ26X27153

Job Name: \_\_\_\_\_

Purchaser: \_\_\_\_\_

Submitted To: \_\_\_\_\_

Construction: \_\_\_\_\_

Reference: \_\_\_\_\_

Approval: \_\_\_\_\_

Date: \_\_\_\_\_

Submitted By: \_\_\_\_\_

Unit: \_\_\_\_\_

Drawing #: \_\_\_\_\_



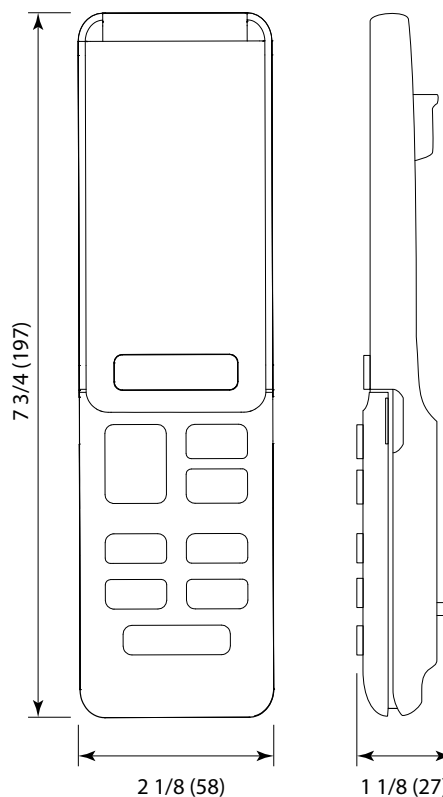
### Features

- 24-Hour Time
- Individual Control
- Backlight
- Up & Down Louver Oscillating Control
- Left & Right Louver Oscillating Control
- Child Lock
- Indoor LED Display On/Off
- Fahrenheit/Celsius Display
- Precise Temperature Control +/- 1F (+/- 0.5C)
- Occupancy Sensor Control

### Compatibility

Haier Next Gen Arctic models  
AW09EH2VHD, AW12EH2VHD, AW18EH2VHD

### Dimensions in. (mm)



## Programmable Wired Controller

## YR-E16B

Job Name: \_\_\_\_\_

Purchaser: \_\_\_\_\_

Submitted To: \_\_\_\_\_

Construction: \_\_\_\_\_

Reference: \_\_\_\_\_

Approval: \_\_\_\_\_

Date: \_\_\_\_\_

Submitted By: \_\_\_\_\_

Unit: \_\_\_\_\_

Drawing #: \_\_\_\_\_



### Features

- 12V AC Supplied by Indoor PCB
- Control Up to 16 Indoor Units as a Single Zone
- Auto-Cool-Dry-Heat-Fan-Auto Modes
- Precise Temperature Control
- Fan Speed Adjustment
- Turbo
- Quiet
- Airflow Direction - Up Down
- Airflow Direction - Left Right
- Four-Way Cassette Blade Control
- Indoor Temperature Display
- 500 hr Filter Change Reminder
- Clock
- Error Code Reporting/Recording
- Control Lock
- Programmable Operation
  - Weekday/Weekend 4 periods
  - Random times up to 35 periods
- Sleep
- Backlight
- Fahrenheit/Celsius Display
- Temperature Range Limit
- Temperature Compensation
- Static Pressure Setting
- Password

### Compatibility

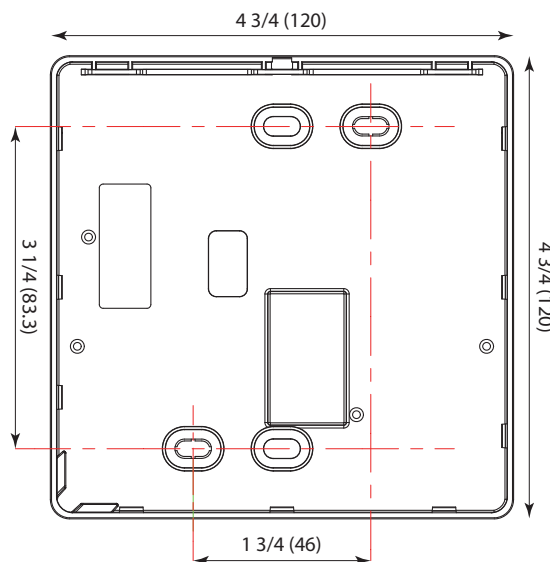
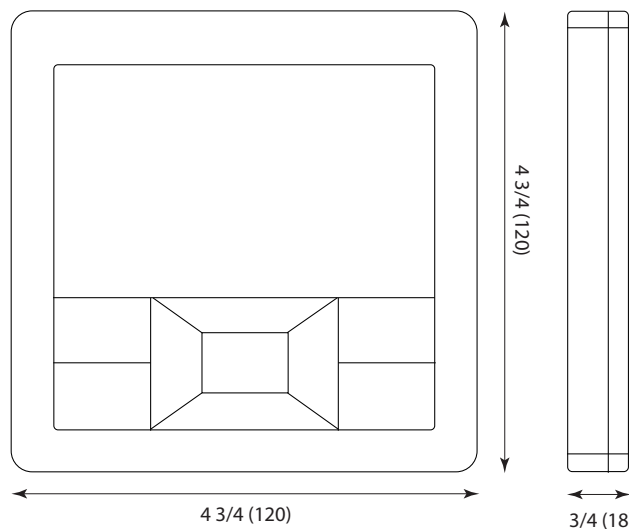
All Haier Mini-Split, Multi-Split and MRV indoor units.



#### Required Adapter

Non-MRV wall mounted units require the WK-B adapter (Advanced series VHA units require the WK-A adapter).

### Dimensions in. (mm)



# Haier Ductless Mini Split Controller Submittal

## Touch Wall Controller YR-E17

Job Name: \_\_\_\_\_

Purchaser: \_\_\_\_\_

Submitted To: \_\_\_\_\_

Construction: \_\_\_\_\_

Reference: \_\_\_\_\_

Approval: \_\_\_\_\_

Date: \_\_\_\_\_

Submitted By: \_\_\_\_\_

Unit: \_\_\_\_\_

Drawing #: \_\_\_\_\_



### Features

- 12V AC Supplied by Indoor PCB
- Control Up to 16 Indoor Units as a Single Zone
- On/Off
- Auto-Cool-Dry-Heat-Fan-Auto Modes
- Precise Temperature Control
- Fan Speed Adjustment
- Turbo
- Quiet
- Airflow Direction - Up Down
- Airflow Direction - Left Right
- Indoor Temperature Display
- 500 hr Filter Change Reminder
- Error Code Reporting/Recording
- Control Lock
- Backlight
- Fahrenheit/Celsius Display
- Temperature Range Limit
- Temperature Compensation
- Static Pressure Setting

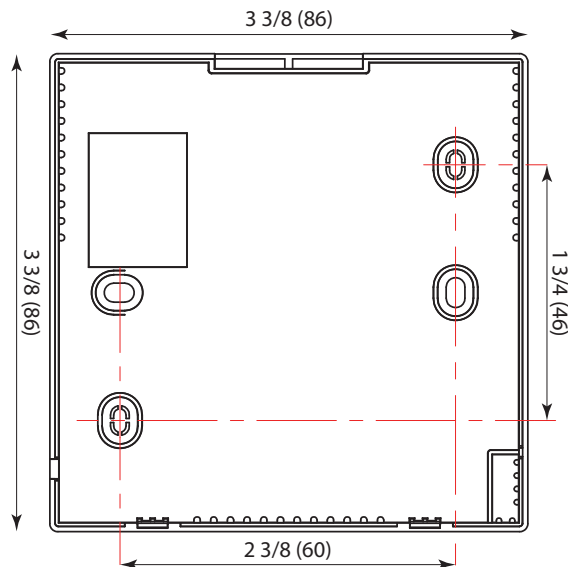
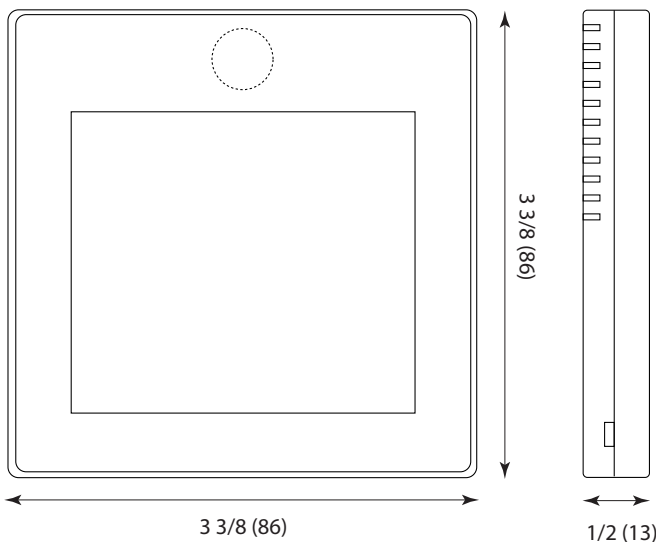
### Compatibility

All Haier Mini-Split, Multi-Split and MRV indoor units.

#### Required Adapter

Non-MRV wall mounted units require the WK-B adapter (Advanced series VHA units require the WK-A adapter).

### Dimensions in. (mm)



For more information visit us:  
[www.Haierductless.com](http://www.Haierductless.com)  
[www.Haierductlesshelp.com](http://www.Haierductlesshelp.com)



# Haier Ductless Mini Split Controller Submittal

## Simplified Wired Controller QACT17A

Job Name: \_\_\_\_\_

Purchaser: \_\_\_\_\_

Submitted To: \_\_\_\_\_

Construction: \_\_\_\_\_

Reference: \_\_\_\_\_

Approval: \_\_\_\_\_

Date: \_\_\_\_\_

Submitted By: \_\_\_\_\_

Unit: \_\_\_\_\_

Drawing #: \_\_\_\_\_



### Features

- 12V AC Supplied by Indoor PCB
- Control Up to 16 Indoor Units as a Single Zone
- On/Off
- Auto-Cool-Dry-Heat-Fan-Auto Modes
- Precise Temperature Control
- Fan Speed Adjustment
- Turbo
- Quiet
- Airflow Direction - Up Down
- Airflow Direction - Left Right
- Indoor Temperature Display
- 500 hr Filter Change Reminder
- Error Code Reporting/Recording
- Control Lock
- Backlight
- Fahrenheit/Celsius Display
- Temperature Range Limit
- Temperature Compensation
- Static Pressure Setting

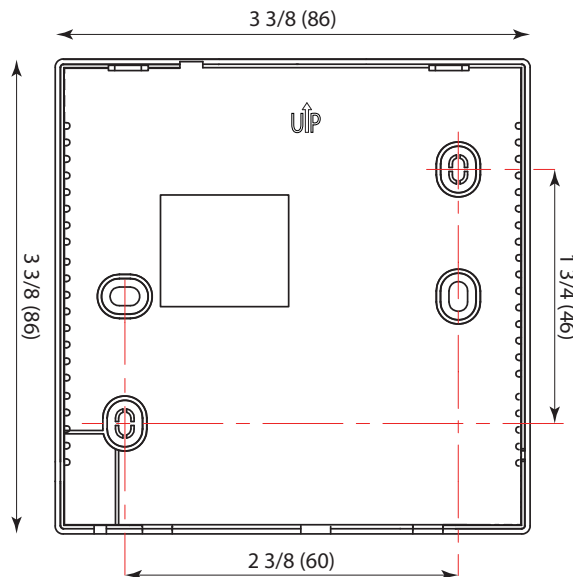
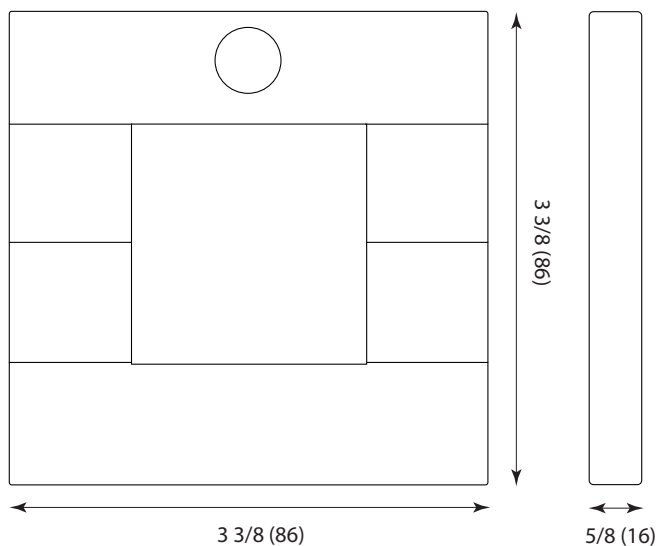
### Compatibility

All Haier Mini-Split, Multi-Split and MRV indoor units.

#### Required Adapter

Non-MRV wall mounted units require the WK-B adapter (Advanced series VHA units require the WK-A adapter).

### Dimensions in. (mm)



For more information visit us:  
[www.Haierductless.com](http://www.Haierductless.com)  
[www.Haierductlesshelp.com](http://www.Haierductlesshelp.com)